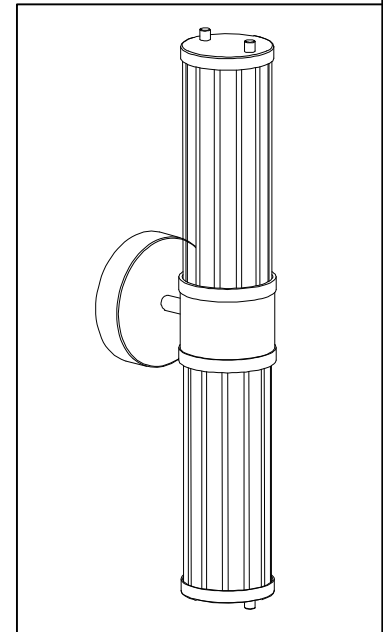
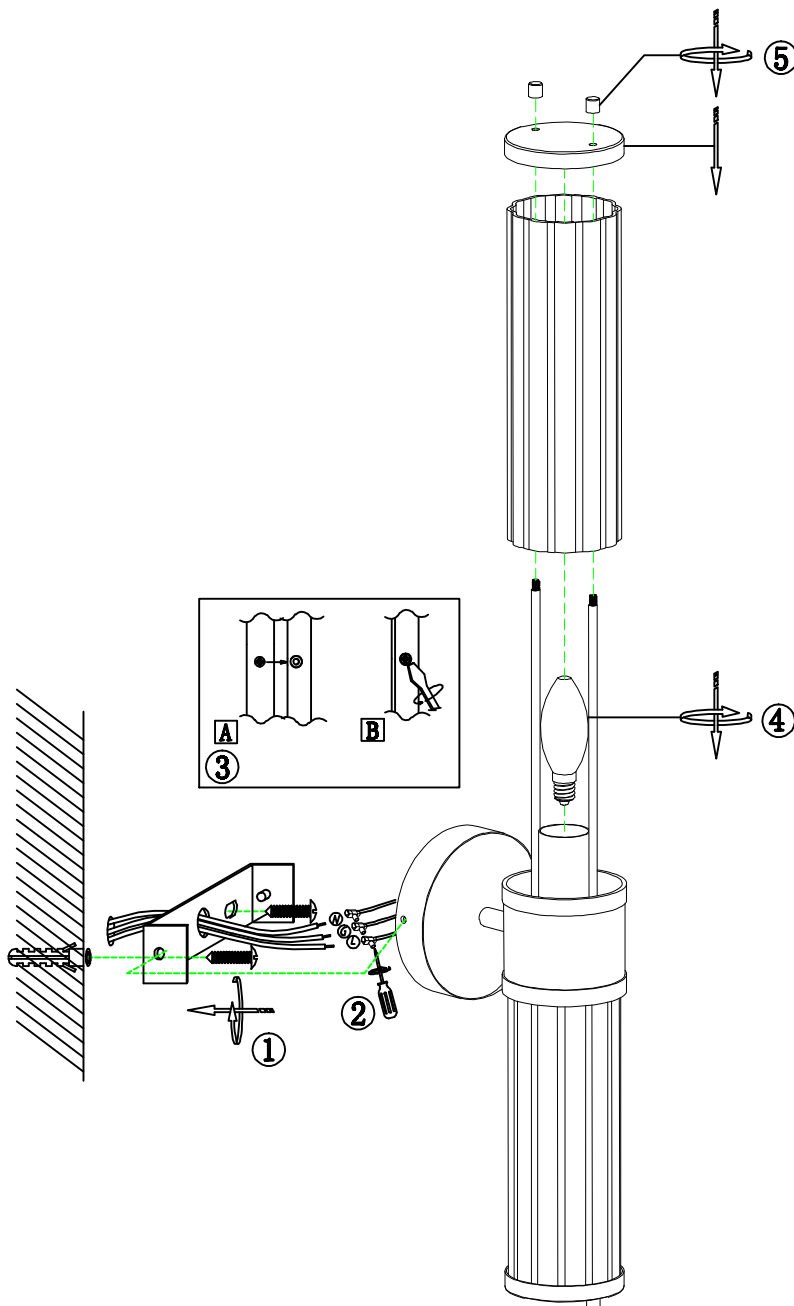


ENGLISH

Specification of installation

In order to ensure safety use, please notice the following items:

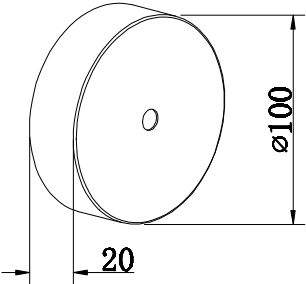
- Read and understand the whole Specification.
- Suitable for the use of 220-240V and 50-60Hz.
- Please wear gloves as installment and avoid rot on the surface of plaetng.
- Must be installed on the fixed places and be checked annually.
- Please tum off the lighting source by soft cloth as cleaning prohibited to use of rotted detergent.
- Please connect with the local sales service center when there are any abnomality.



- 1 Wall anohor
- 2 Terminal
- 3 Screw
- 4 E14 Buld
- 5 Holder ring

Product coding: SANCHO AP2 CHROME

BASE SIZE:



FIXTURE SIZE:

