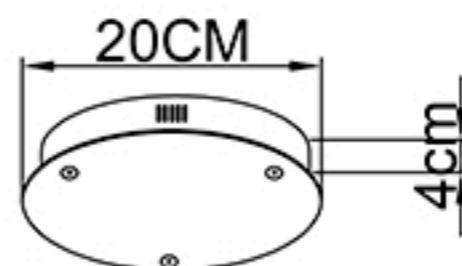


## Specification of installation

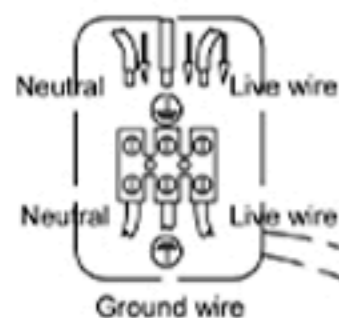
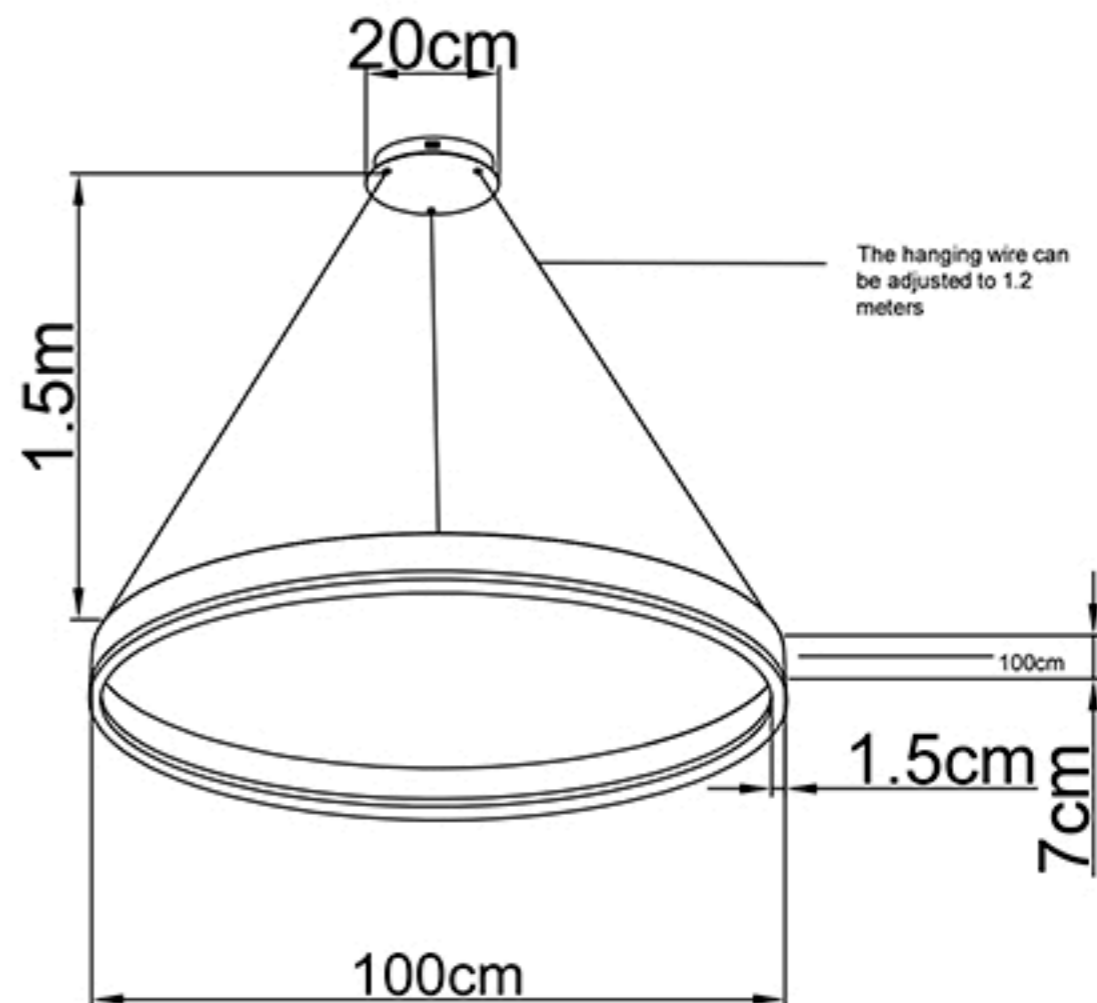
In order to ensure safety use, please notice the following items:

- Read and understand the whole Specification.
- Suitable for the use of 220-240V and 50-60Hz.
- Must be installed on the fixed places and be checked annually
- Please wear gloves as installment and avoid rot on the surface of plating.
- Please turn off the lighting source by soft cloth as cleaning prohibited to use of rotted detergent.
- Please connect with the local sales service center when there are any abnormality.

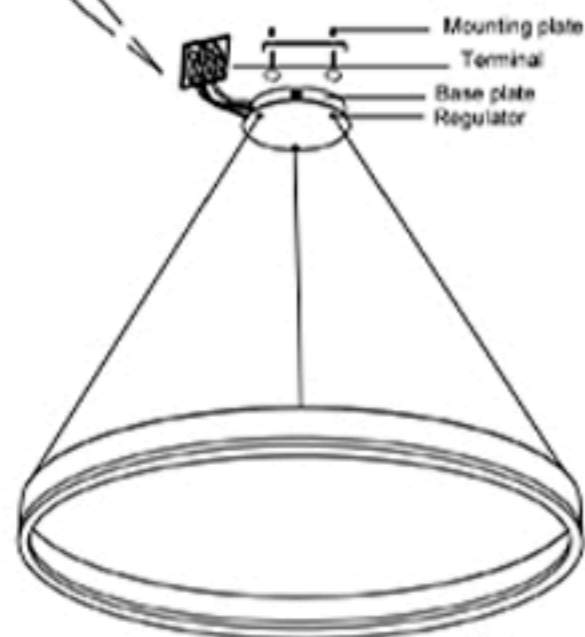
## BASE SIZE:



## FITTURE SIZE



Live wire-Brown  
Neutral-Light Grey  
Ground wire-Yellow



Product coding: MUCHOS SP88W LED